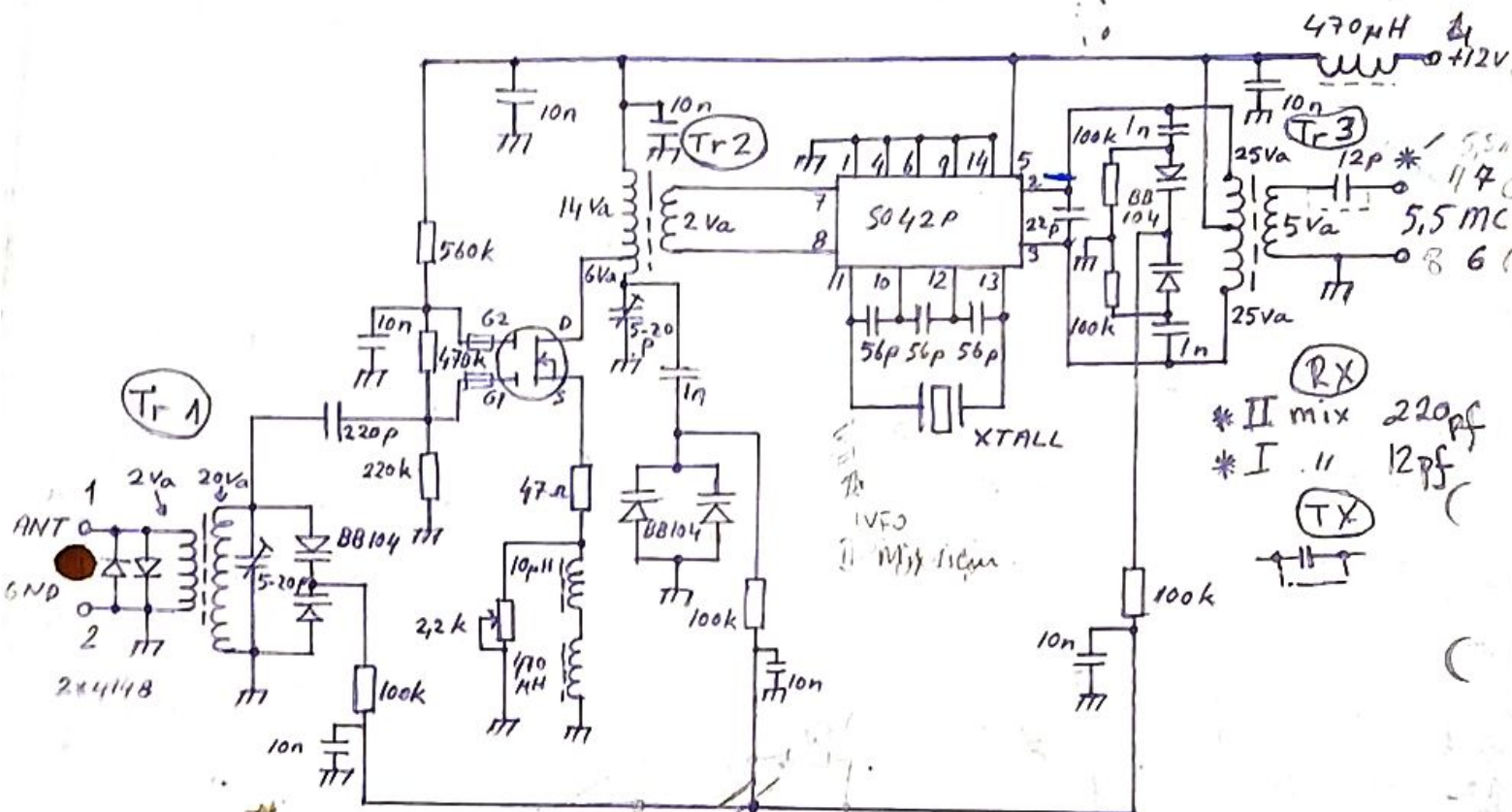
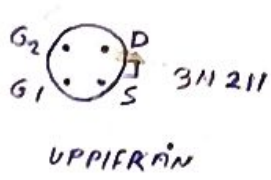


(?)
ANT. IN 14MHz HF FÖRST. + I. BLAND.



(Rx)
* II mix 220pf
* I " 12pf
(Tx)



Rx xtal : 9.056.379
Tx xtal : 9.056.503

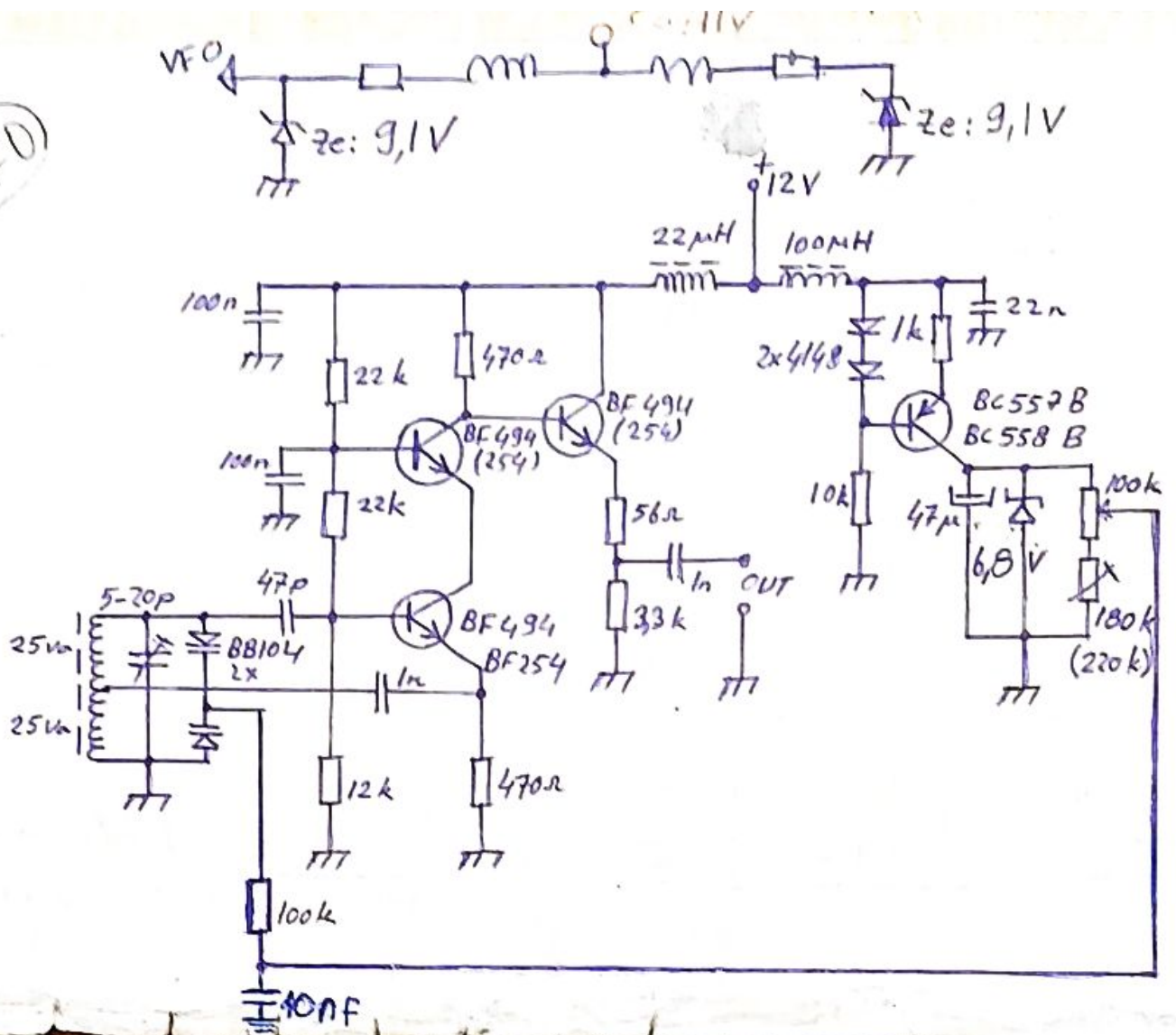


(in Haganie)

Ant / I mix Tr.1 2/20 (14MHz) Tr.2 : 14/2 (14MHz) Tr.3 : 25/25 (5,5MHz)
 II Mix Tr.1: 5/50 (5-5,5MHz) Tr.2 : 34/5 (5-5,5MHz) Tr.3 40/40 (455kHz)
 Tx
 I mix TR1 8/80 (455kHz) TR2 55/8 (455kHz) TR3 25/25 (5-5,5MHz)
 TR1 5/50 (5-5,5MHz) TR2 16/34 (5-5,5MHz) TR3 10/10 (14MHz)

BB104 1,2uIn, 2u100k
1-10ns
1,5-2,2n parallel

VFO



$$\begin{array}{r} 52 \\ + 50 \\ \hline 102 \end{array} \quad \begin{array}{r} 6,8 \\ \frac{1}{2} \\ \hline 2,0 \end{array}$$

